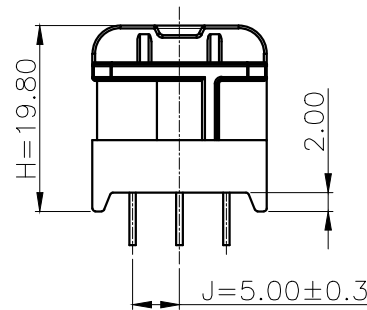
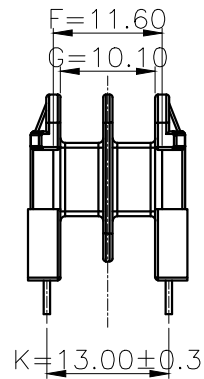
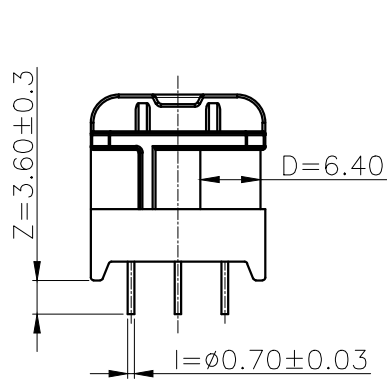
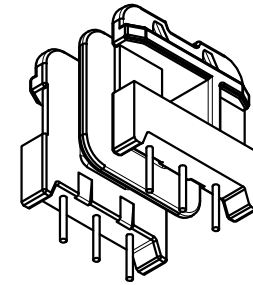
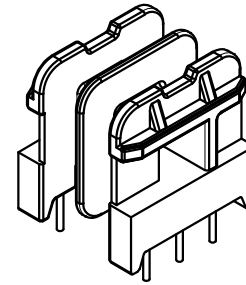
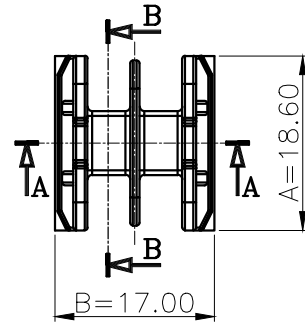
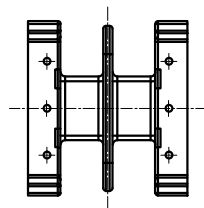


SECTION B-B



SECTION A-A



△							
△							
△							
△							
MARK	REVISION NOTE			DATE	DRAWN	CHECKED	APPROVED
	DRAWN	CHECKED	APPROVED	MATERIAL : PHENOL	UL REC. : UL94V-0	THIRD ANGLE PROJ.	SCALE : 1/1
	S H, Kim	G Y, Lim	C, Park	Z : PIN LENGTH (According to customer's request)	DATE : 2011.02.22	TOLERANCE : ±0.2 (Unless otherwise specified)	UNIT : m/m
	주희회사 대흥보빈 DAE HEUNG BOBBIN CO., LTD.			TITLE UU 16*20 (6P) "1T" (D)		DWG NO DH-110329-1009-02	